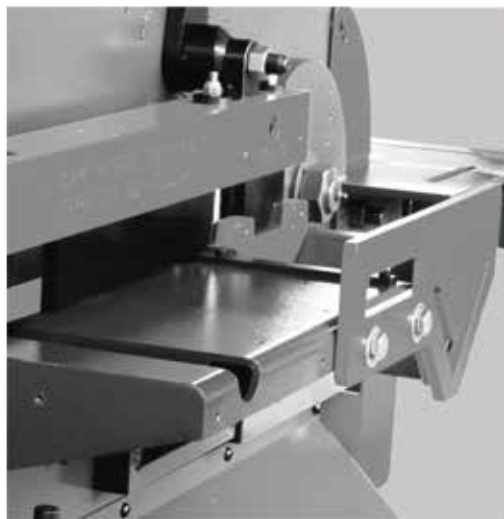
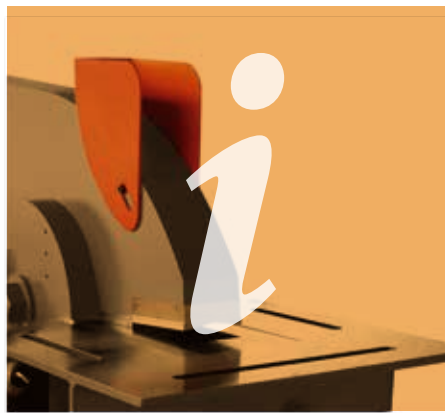
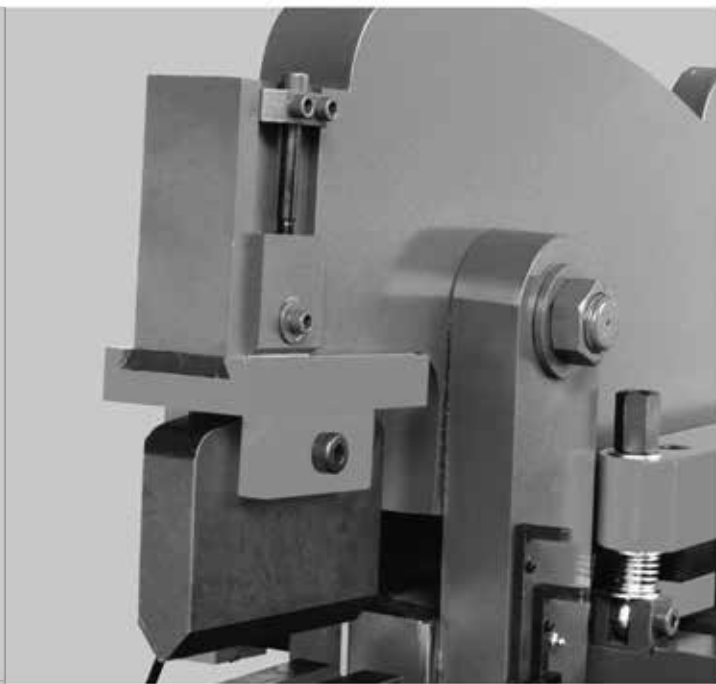


# *IRON WORKER*

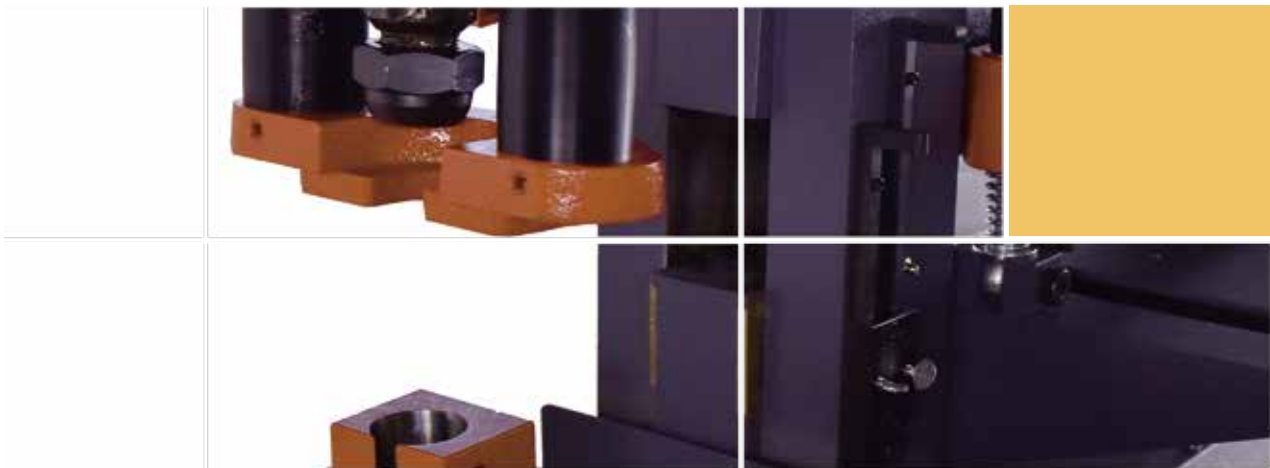
STURDY. STABLE. HIGH QUALITY



[www.fintekwell.com](http://www.fintekwell.com)



***FINTEK's IRON WORKER combines shearing, coping, punching, notching, and bending into one compact box. With replaceable tooling design and hydraulic powered are fused in its gene, you can break through barriers to regular-fabricate applications and discover a truly infinite possibility.***



## Exclusive Feature

- Complete punching attachment with split dove - tail mounting.
- 14 punch and die sets for i-55T.
- 10 punch and dies sets for i-45T, i-100T.
- Bending attachment with split dove - tail mounting.
- Automatic urethane hold down on the punch stripper and on angle.
- Plate and bar shear.
- Set of round bar knives (2 way).
- Set of plate shear knives (4 way).
- Set of angle knives (8 way top) (4 way bottom).
- Set of coper knives (2 way top) (4 way bottom).
- Chip buckets (2 each).
- Coupling wrench &  $\frac{3}{8}$ " allen wrench.

# Specifications



	<b>i-100t</b>	<b>i-55t</b>	<b>i-45t</b>
<b>Throat depth</b>	12" (304 mm)	8" (203 mm)	5" (127 mm)
<b>Open height</b>	15 ½" (393 mm)	13 ½" (343 mm)	12 ¼" (311 mm)
<b>Closed height</b>	10 ¼" (260 mm)	9 ¼" (235 mm)	8 ¼" (210 mm)
<b>Stroke</b>	5 ¼" (133 mm)	4 ¼" (108 mm)	4" (101 mm)
<b>Table size</b>	14 ½" x 21" (368 mm x 533 mm)	10" x 17" (254 mm x 432 mm)	8" x 16 ½" (203 mm x 419 mm)
<b>Punch(short ton)</b>	100 Tons	55 Tons	45 Tons
<b>Hole size (max.material)</b>	1 ⅝", 28 mm ( 1", 25mm)	13/16", 20 mm( ¾", 19 mm)	1", 25 mm( ½", 12 mm)
<b>Max.hole(special tooling)</b>	5", 127 mm(3/16", 4 mm)	5", 127 mm(⅛", 3 mm)	1 ½", 38 mm(3/16", 4 mm)
<b>Plate shear</b>	20 ½" (520 mm) Long	15 ½" (393 mm) Long	13" (330mm) Long
<b>W/Fixed hold down</b>	1" x 12" (25 mm x 304 mm) ¾" x 18" (19 mm x 457 mm) ½" x 20" (12 mm x 508 mm)	1" x 4" (25 mm x 101 mm) ¾" x 10" (19 mm x 254 mm) ⅝" x 15" (15 mm x 381 mm)	⅝" x 6" (15 mm x 152 mm) ½" x 8" (12 mm x 203 mm) ¼" x 13" (6 mm x 330 mm)
<b>Angle shear</b>	6" x 6" x ⅝" (152 mm x 152 mm x 15 mm)	5" x 5" x ⅜" (127 mm x 127mm x 9.5 mm) W/ Fixed Hold Down 4"x 4" x ½" (101 mm x 101 mm x 12 mm)	3 ½" x 3 ½" x 5/16" (88 mm x 88 mm x 8 mm)
<b>Bar shear(Round)</b>	1 ¼" (31 mm)	1" (25 mm)	½" (12 mm)
<b>Coper-Notcher(Max.)</b>	4" x 6" x ⅜" (101mm x 152 mm x 9.5 mm)	2 ¾" x 4" x ¼" (69 mm x 101 mm x 6 mm)	2 ¼" x 3" x ¼" (57 mm x 76 mm x 6 mm)
<b>Bending Attach</b>	12" (304 mm)	8" (203 mm)	6" (152 mm)
<b>Punch end</b>			
<b>Stroke per Minute</b>	40@ ¾" (19 mm)	60@ ½" (12mm)	50@ ½" (12mm)
<b>Work Station Height</b>	43" (1092 mm)	43" (1092 mm)	43" (1092 mm)
<b>Fuel Capacity</b>	25 Gallons (100 Liters)	20 Gallons (80 Liters)	12 Gallons (48 Liters)
<b>Motor</b>	15 HP	10 HP	6.5 HP
<b>Dimensions</b>	35" x 90" x 66 ½" (889 mm x 2286 mm x 1689 mm)	24" x 66" x 60" (610 mm x 1676 mm x 1524mm)	24" x 55" x 58" (610 mm x 1397 mm x 1473 mm)
<b>Weight(Net)</b>	5642 LBS (2560 kg)	2600 LBS (1230 kg)	1100 LBS (1100 kg)

· All specifications & design are subject to change without prior price.



# Feature



## Quick-Release Punching-Die

1

- Simple: Effortless to fasten or loosen a screw.
- Fast: Changing different tools just within a minute.
- Infiniteness: The inherent changeability enables unlimited design and jobs.



## 2 Foot-Switch-Control

- Extends the control: Using foot pedal allows hands fully concentrate on works.
- Control accessible: Connect-ports from both ends of the machine makes jobs conveniently perform.

## 3 Limit-Switch-Adjustment

- Range flexible: With wider range of stroke control is received, foot-switch-control can be more powerful.

## 4 Joy-Stick-Control (JOG mode only)



- Accessible design: Joy sticks from both the front and the rear expend huge flexibility.
- 5 positioning control: Intuitive adjust through speeds- fast/neutral/low & up/low.

## 5 Clamping-Thickness-Adjustment

- Arc-like switch: Intuitive control switching among three stages settings.
- To be fast or flexible: Either choosing usual-setting or seeking fine-tune are possible.



## 6 Auto Power Off Switch



- Safety Protection to users: Power shut-down while cabinet's door is being opened.

## 7 Heavy Duty Powerful Hydraulic System

- Strong force: Hydraulic system can perform jobs smoothly & stably.
- Protection to machine: Hydraulic system can also prevent damage from excessive workload and unsuitable work piece input.



## Standard Accessories



1. Punch attachment
2. Manual back gauge & Side guard
3. Fixed angle hold down (for i-55T only)
4. Bending attachment
5. Attached oil tank
6. Coping or notching





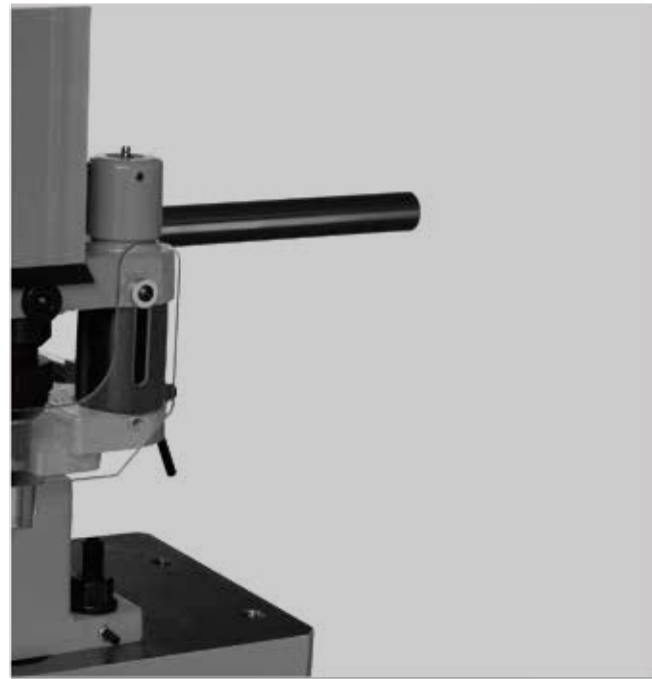
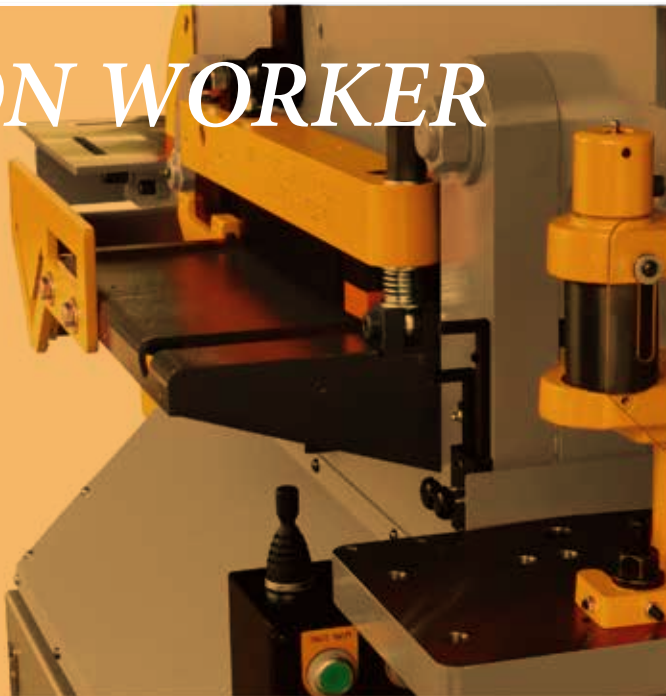
## Optional Accessories



1. 24" bending attachment
2. Plate Gauging Table
3. Quick set table assembly with quick set bar gauge assembly
4. Safety rear guard
5. Quick set angle gauge assembly
6. Safety front guard + chip bucket



# *IRON WORKER*



**FINTEK INDUSTRY COMPANY LIMITED**

P.O.BOX 1481 TAIPEI, TAIWAN.

TEL: +886-2-2523-6891 FAX:+886-2-2523-5419

Email: [fintek.tw@gmail.com](mailto:fintek.tw@gmail.com)

